

## Aurelia S45, Aurelia S Bold 22 upgraded

Patrick Jouin, 2021

Upgrades: single switch, new color finishes:

Diffuser: smoke-grey, shaded white, shaded burgundy, transparent water effect, blue water effect, transparent pulegoso with metal powder inclusion.

Structure: matte white, vintage brass, matte gunmetal

LEUCOS®

You spot it from afar



LEUCOS®

You spot it from afar



**Product:** Aurelia S45, Bold S22

**Designer:** Patrick Jouin

**Typology:** Suspension

**Light source Aurelia S45:** Direct: LED 1 X 11,6W 1531 lm (nominal) 3000K CRI≥90 Indirect: LED 1 X 14,4W 2450 lm (nominal) 3000K CRI≥90 or Direct: LED 1 X 11,6W 1471 lm (nominal) 2700K CRI≥90 Indirect: LED 1 X 14,4W 2360 lm (nominal) 2700K CRI≥90

**Light source Aurelia S Bold 22:** Direct: LED 1 X 11,6W 1531 lm (nominal) 3000K CRI≥90 Indirect: LED 1 X 5,8W 980 lm (nominal) 3000K CRI≥90 or Direct: LED 1 X 11,6W 1471 lm (nominal) 2700K CRI≥90 Indirect: LED 1 X 5,8W 944 lm (nominal) 2700K CRI≥90

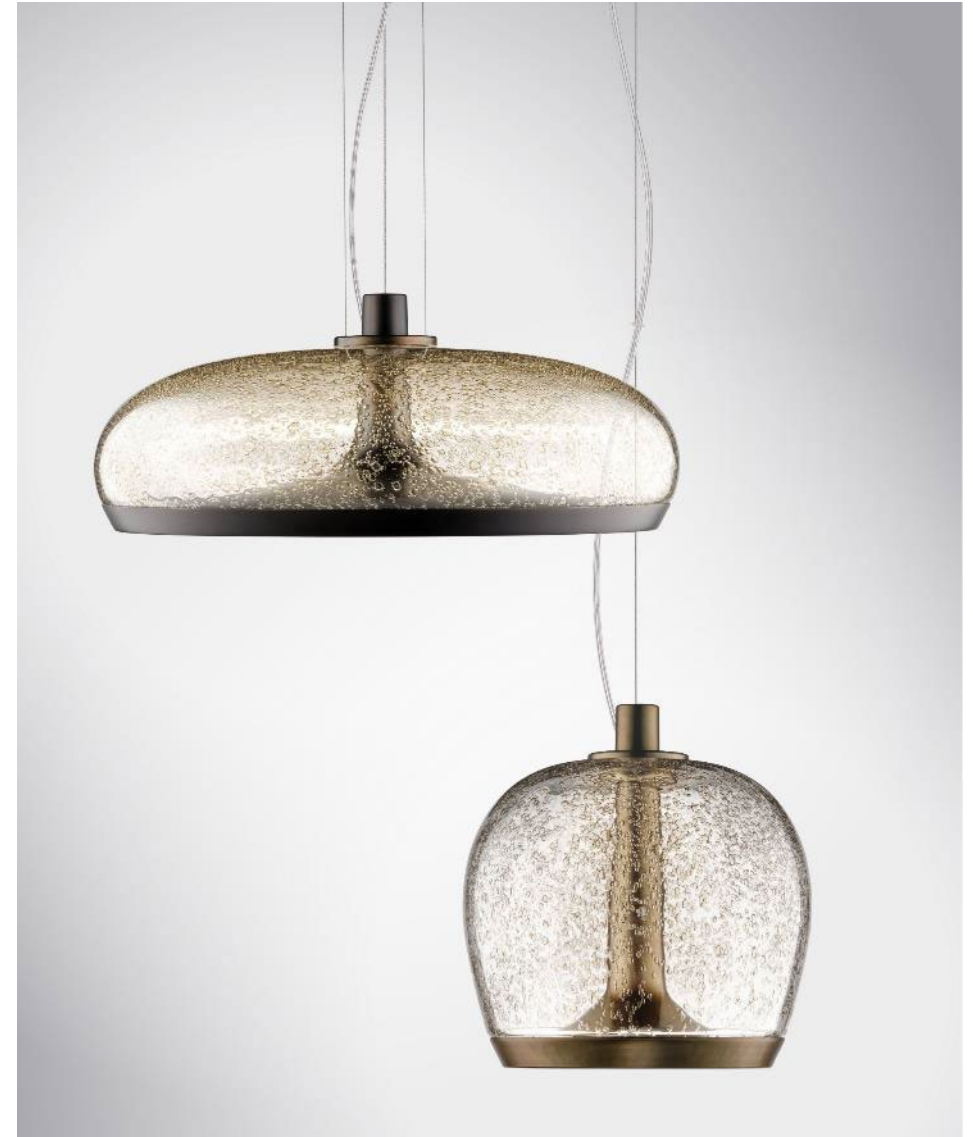
**Dimmer:** Push-dim; 0/1-10V; Dali

**Materials (diffuser/structure):** handblown glass/metal

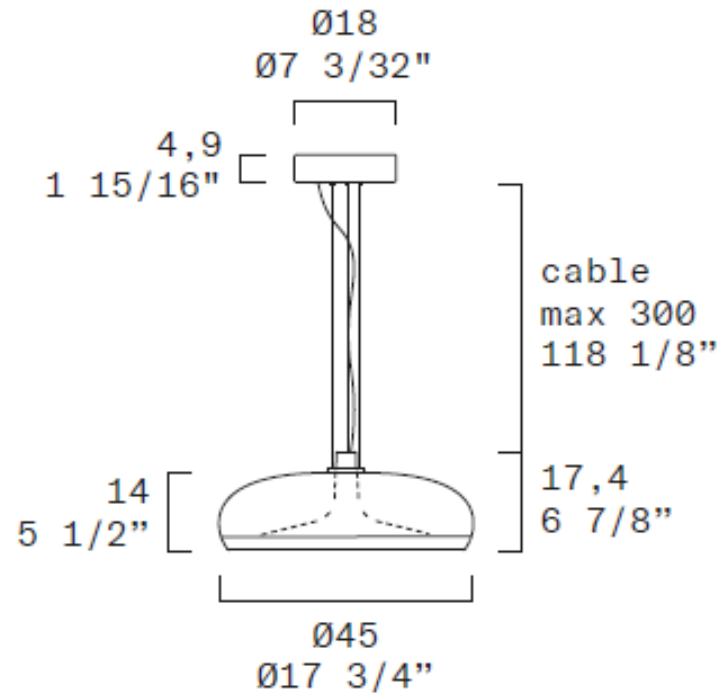
### Color finishes

**Diffuser:** smoke-grey, shaded white, shaded burgundy, transparent water effect, blue water effect, transparent pulegoso with metal powder inclusion.

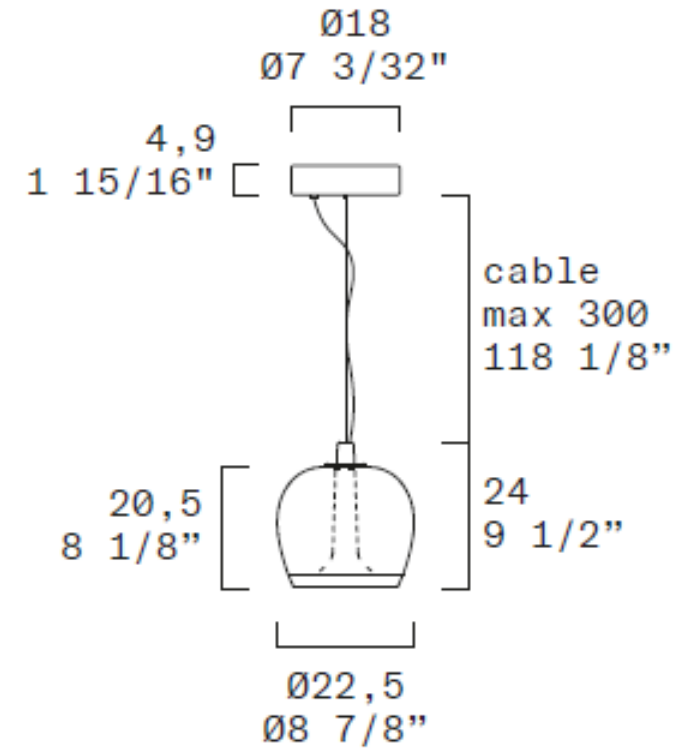
**Structure:** matte white, vintage brass, matte gunmetal



## Aurelia S 45



## Aurelia Bold S 22



LEUCOS®

You spot it from afar



LEUCOS®



LEUCOS®



You spot it from afar



LEUCOS®

You spot it from afar



LEUCOS®

You spot it from afar



LEUCOS®

You spot it from afar



LEUCOS®

You spot it from afar



LEUCOS®

You spot it from afar



LEUCOS®

You spot it from afar



LEUCOS®

You spot it from afar



LEUCOS®

You spot it from afar

